

# EQ Cabinet

## ONYX® Series Equipment Backboxes with Ventilated Locking Doors



Peripheral Devices

### General

EQ Series cabinets provide an effective solution for applications that require distributed components such as power supplies, amplifiers, and multiple I/O modules. The EQ Series provides superior ventilation for devices such as amplifiers and field power supplies, ample room for wire or fiber-optic media between each row, and a space efficient package that allows for the consolidation of multiple system components in a single enclosure.

Equipment cabinets use a perforated blank door for enhanced ventilation, and do not support the mounting of backbox mounted dress plates. Therefore these cabinets are not appropriate for equipment that would be normally accessed by a system operator such as control equipment, annunciators, or remote microphones.

EQ cabinets share the same external dimensions as the familiar CAB-4 Series cabinets. EQ Series cabinets differ in that they do not include a separate battery row. See illustrations below for examples of EQ cabinet row spacing.

### Specifications

- Equipment cabinets are fabricated from 16-gauge steel. The cabinet assembly consists of two basic parts: a backbox and a locking door. Cabinets are available in black and red.
- The key-locked door is provided with a pin-type hinge, two keys and the necessary hardware to mount the door to the backbox.
- The backbox has been engineered to provide ease-of-entry for the installer. Knockouts are positioned at numerous points to aid the installer in bringing a conduit into the enclosure with a minimum of hardship.
- Right- or left-hand hinges, selectable in the field. Door opens 180°.
- Cabinets are arranged in 3 standard sizes, B (two tiers) through D (four tiers). See Ordering Information.
- Trim ring options are available for semi-flush mounting.

### Equipment Compatible for Use in EQ Series Cabinets

- DAA2 Series Amplifiers
- DAX Series Amplifiers
- DS-DB Digital Series Distribution Board
- DS-AMP Digital Series Amplifier
- DAA-50 Series Amplifiers
- DAA-75 Series Amplifiers
- AA-30(E) Audio Amplifiers
- AA-100(E) Audio Amplifiers
- AA-120(E) Audio Amplifiers
- ACPS-610(E) Power Supply
- AMPS-24(E) Power Supply
- HPFF8CM(E) Power Supply
- HPFF12CM(E) Power Supply
- XP6-C Modules



EQCab.jpg

- XP6-MA Modules
- XP6-R Modules
- XP10-MA Modules

### Agency Listings and Approvals

These listings and approvals below apply to the EQ cabinet. In some cases, certain modules or applications may not be listed by certain approval agencies, or listing may be process. Consult factory for latest listing status.

- **UL Listed:** S635.
- **ULC Listed:** S635.
- **CSFM:** 7165-0028:0243 (NFS2-640), 7165-0028:0224 (NFS2-3030).
- **FDNY:** COA#6121 (NFS2-640), COA#6114 (NFS2-3030), COA#6073.

### Ordering Information

A complete cabinet assembly consists of a door, a backbox, and an optional semi-flush trim ring. For each cabinet required, order one "EQDR" door and one "EQBB" backbox.

The optional trim ring is an attractive "picture-frame" style black metal ring.

#### "B" SIZE CABINET (TWO TIERS)

EQDR-B4: Door assembly, vented door, two tiers, black. (For red, order EQDR-B4R.)

EQBB-B4: Backbox assembly, two tiers, black. (For red, order EQBB-B4R.)

TR-B4: Semi-flush-mount trim ring, two tiers.

**“C” SIZE CABINET (THREE TIERS)**

EQDR-C4: Door assembly, vented door, three tiers, black. (For red, order EQDR-C4R.)

EQBB-C4: Backbox assembly, three tiers, black. (For red, order EQBB-C4R.)

TR-C4: Semi-flush-mount trim ring, three tiers.

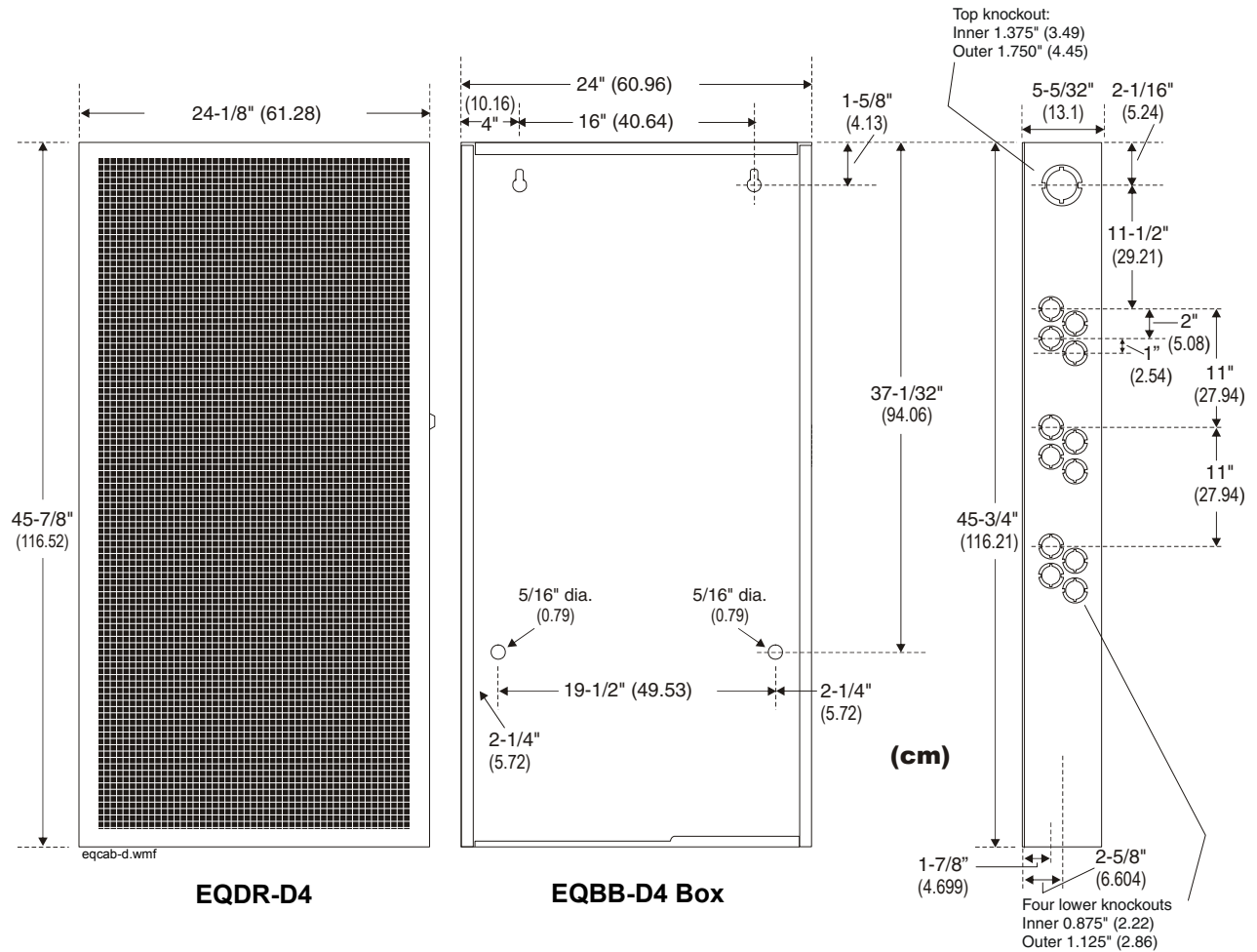
**“D” SIZE CABINET (FOUR TIERS)**

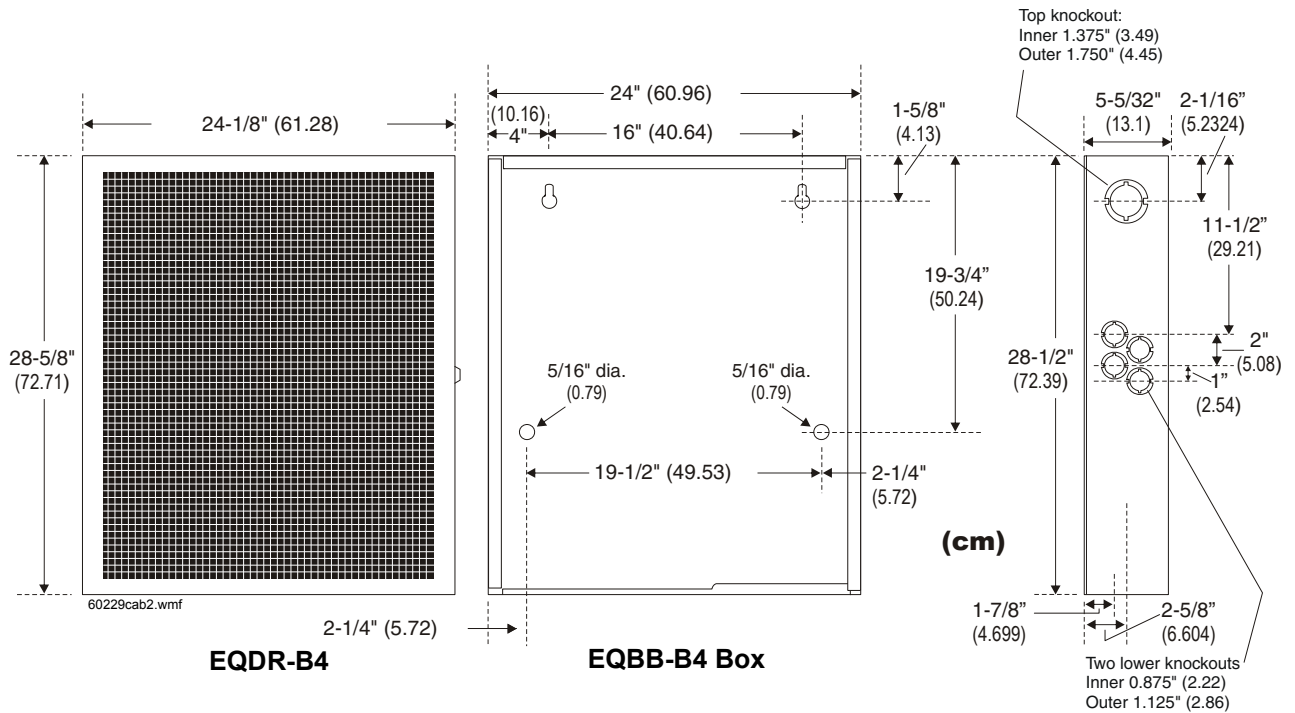
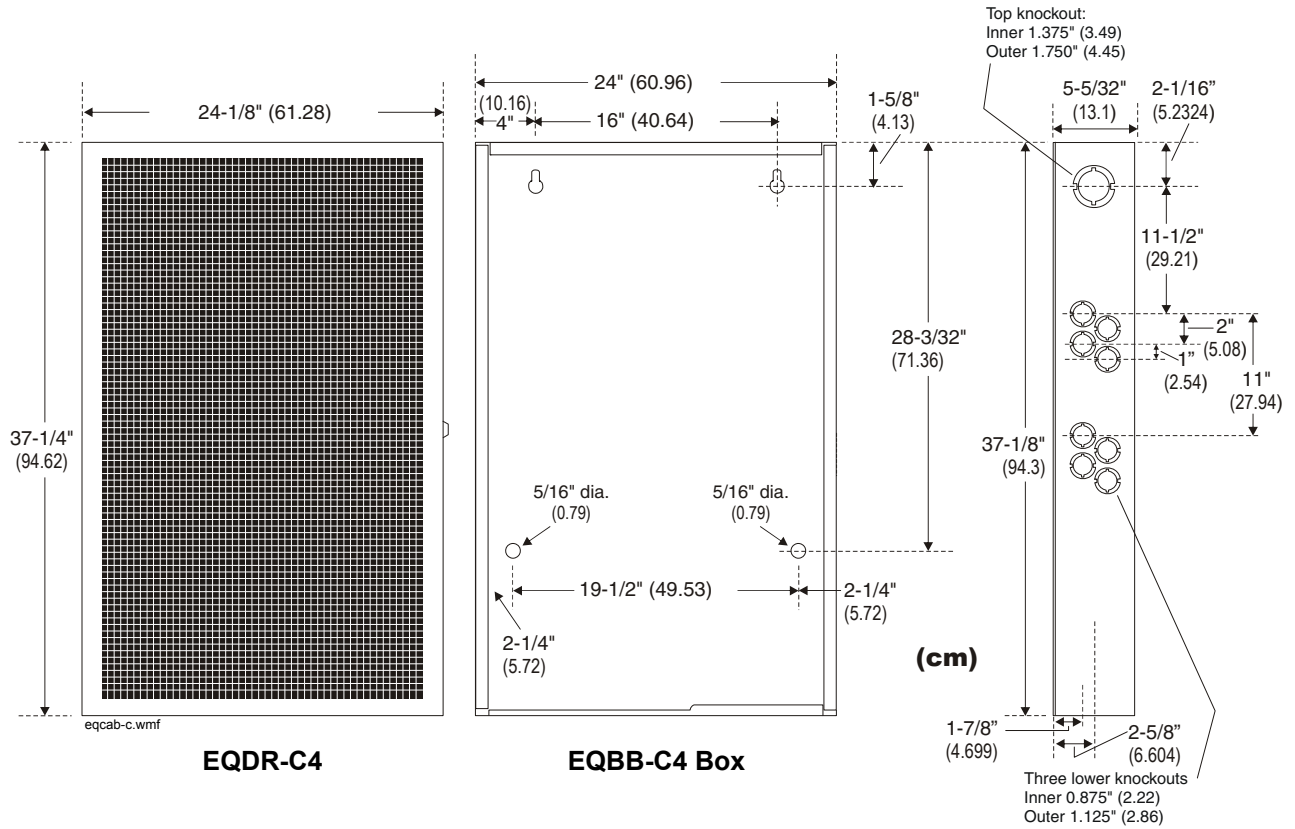
EQDR-D4: Door assembly, vented door, four tiers, black. (For red, order EQDR-D4R.)

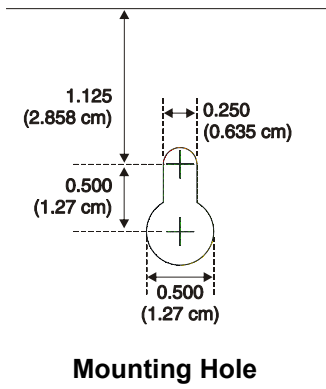
EQBB-D4: Backbox assembly, four tiers, black. (For red, order EQBB-D4R.)

TR-D4: Semi-flush-mount trim ring, four tiers.

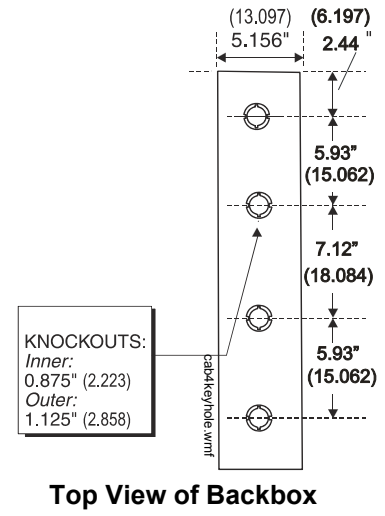
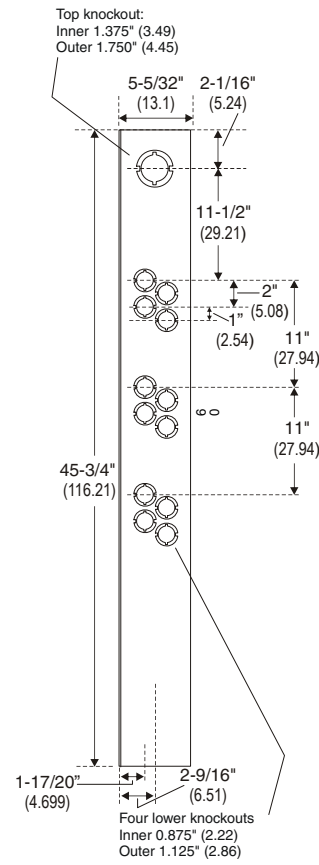
**CABINET DRAWINGS AND FEATURES**







6857/No. w.mif



Notifier® is a registered trademark of Honeywell International Inc.  
 ©2013 by Honeywell International Inc. All rights reserved. Unauthorized use of this document is strictly prohibited.



This document is not intended to be used for installation purposes.  
 We try to keep our product information up-to-date and accurate.  
 We cannot cover all specific applications or anticipate all requirements.  
 All specifications are subject to change without notice.



For more information, contact Notifier. Phone: (203) 484-7161, FAX: (203) 484-7118.  
[www.notifier.com](http://www.notifier.com)