

RM-1 Series

Remote Microphone and Cabinets RM-1, RM-1SA, CAB-RM, CAB-RMR



Emergency Voice Evacuation

GENERAL

The **RM-1 Series Remote Microphone** provides a cost-effective microphone interface for paging to selected speaker zones. The Power and Trouble LEDs provide easy-to-understand visual indications of its status. Various mounting options are available. The microphone assembly can be mounted in a small, compact enclosure or located in a comprehensive paging command center.

The RM-1 Series remote microphone can be utilized with the **DVC Digital Voice Command Center** and **DAA2** amplifiers, or to expand a legacy installation.

FEATURES

- Automatic gain control circuit.
- Supervised microphone.
- Form-C trouble contacts.
- Form-C contacts activated when microphone is in use.
- Power On LED.
- Trouble LED.
- Pluggable terminal blocks.
- Low-level audio (LLA) IN and THRU screws.

CAB-3/CAB-4 SERIES INSTALLATION

The RM-1 can mount to the back of an ADP-4B dress panel inside a CAB-3 or CAB-4 Series cabinet. It can be mounted in any of the four positions on the dress panel, with the following exception:

- **Do NOT mount** the RM-1 in front of a CHS-4L chassis.

See page 2 for illustrations of mounted units.

SPECIFICATIONS

Power requirements: 20 mA primary, non-fire alarm current; 66 mA when microphone is activated; 20 mA secondary, non-fire alarm current.

Operating voltage: 17 to 26.4 volts.

PRODUCT LINE INFORMATION

RM-1: Remote microphone assembly for mounting on an ADP-4B dress panel.

RM-1SA: Remote microphone assembly for mounting in a CAB-RM(R), for remote applications.

CAB-RM: Stand-alone cabinet, black.

CAB-RMR: Stand-alone cabinet, red.

AGENCY LISTINGS AND APPROVALS

These listings and approvals apply to the RM-1 Series Remote Microphone. In some cases, certain modules may not be listed by certain approval agencies, or listing may be in process. Consult factory for latest listing status.

- **UL:** S635
- **ULC:** CS118/CS733 Vol. 12

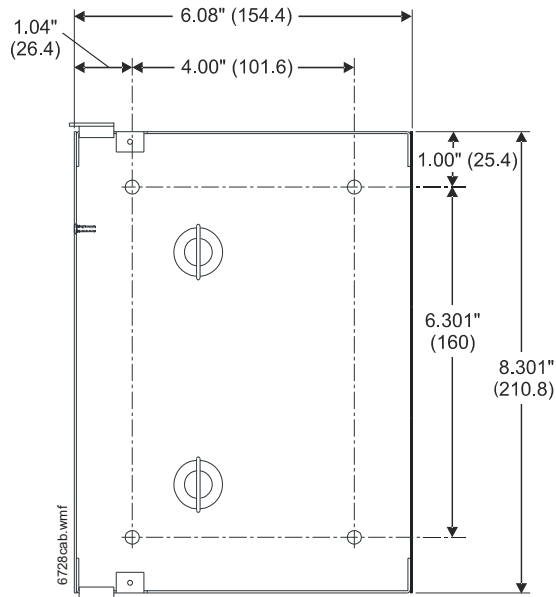
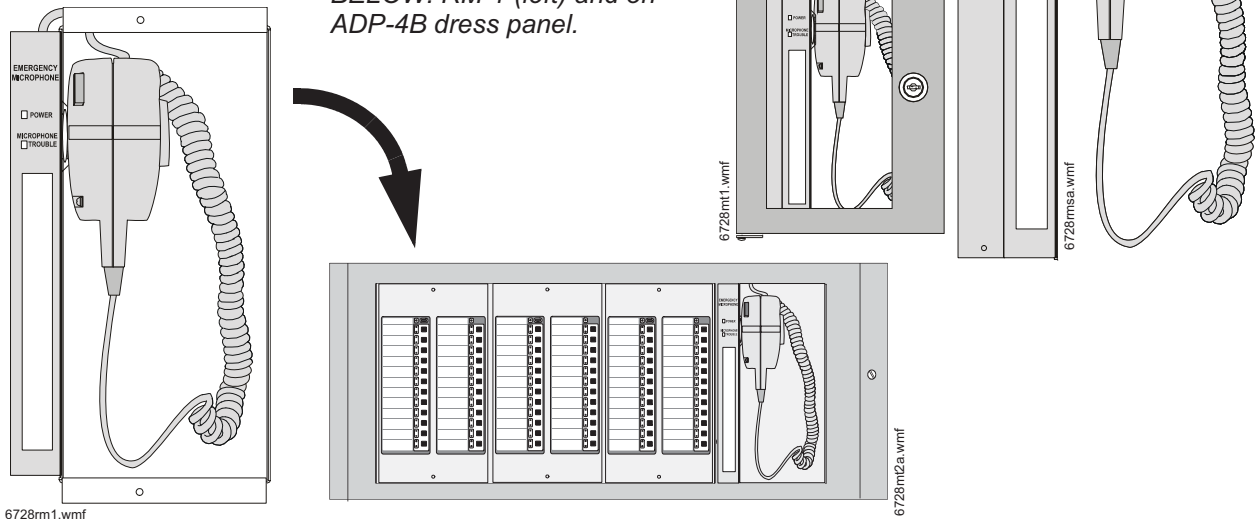


- **MEA:** 327-94-E Vol.III
- **CSFM:** 7165-0028:0224 (NFS-3030/NFS2-3030)
- **FM:** Approved (RM-1, RM-1SA)
- **FDNY:** #6058 (NFS2-3030)

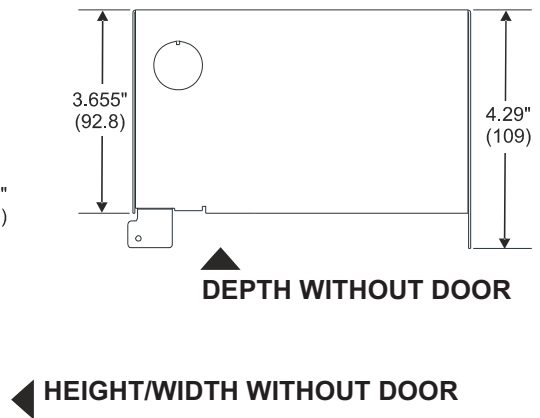
RM-1 MOUNTING & CABINET DIMENSIONS

AT RIGHT: RM-1SA (right) and in CAB-RM or CAB-RMR.

BELOW: RM-1 (left) and on ADP-4B dress panel.



CAB-RM/CAB-RMR DIMENSIONS inches (mm)



NOTIFIER® is a registered trademark of Honeywell International Inc.

©2010 by Honeywell International Inc. All rights reserved. Unauthorized use of this document is strictly prohibited.



This document is not intended to be used for installation purposes. We try to keep our product information up-to-date and accurate. We cannot cover all specific applications or anticipate all requirements. All specifications are subject to change without notice.



For more information, contact Notifier. Phone: (203) 484-7161, FAX: (203) 484-7118. www.notifier.com