

STI Stopper® II and Weather Stopper® II

Covers for Manual Pull Stations



Miscellaneous

General

The Safety Technology International, Inc. Stopper® II cover for manual pull stations helps deter unwanted activation and is also an effective guard against physical damage. It has been proven by use in thousands of installations throughout the world, including schools, hospitals, hotels and stores. The Stopper® II has also been tested and approved by fire prevention and testing authorities.

Features

- Window made of clear and durable plastic.
- Optional warning horn powered by 9 VDC battery.
- Provides weatherproofing for outdoor pull stations when equipped with optional gasket (Weather Stopper II).
- Fits pull stations from 5-1/2" to 6-3/4".
- Unconditional lifetime guarantee against cover breakage and damage.

Applications

The Stopper® II can be used in almost any pull station environment.

Spacer Installation

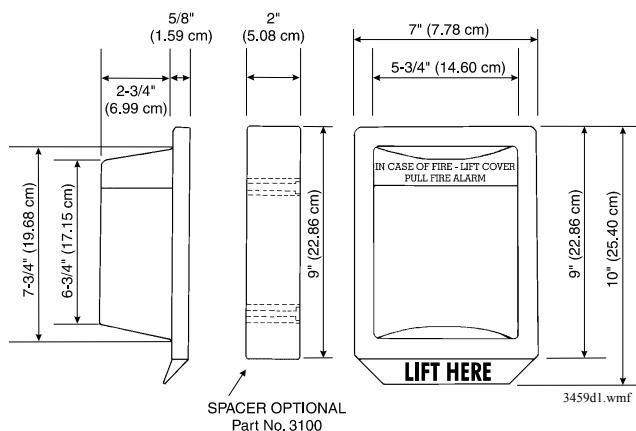
(SURFACE MOUNT MODELS ONLY)

The spacer is used for surface-mounted or oversized manual stations. Longer screws are provided for use with tap-in anchors. Remove knock-out at top or bottom of spacer as necessary.

Gasket Installation

(WEATHER STOPPER® II MODELS ONLY)

Installing neoprene gaskets behind the spacer and/or Stopper® II frame will provide additional weatherproofing. A conduit gasket may be used to seal the top or bottom of the spacer.



n3459cov.jpg

Size Of Pull Station Accomodated

The Stopper® II and Weather Stopper® II can be installed over a flush-mounted station up to 5-1/2" wide and 6-3/4" high. However, the pull station's maximum dimensions will decrease as its depth (distance from the wall) increases, i.e.: a 3/4" deep pull station may be 5-1/2" wide x 6" high; a 1-5/8" deep pull station may be 5" wide x 6" high; a 2-3/8" deep pull station may be 4" wide x 5-3/4" high; a 2-3/4" deep pull station may be 3" wide x 5-1/2" high. See sections "Spacer Installation" and "Gasket Installation".

Agency Listings and Approvals

These listings and approvals apply to the modules specified in this document. In some cases, certain modules or applications may not be listed by certain approval agencies, or listing may be in process. Consult factory for latest listing status.

- **UL Listed:** S2466
- **ULC Listed:** S2466
- ADA Compliant
- STI-1100 & STI-1130: **Factory Mutual Approved**
- STI-1100 & STI-1130: **BSA:** 947-81-SA
- STI-1100, STI-1130, STI-1250, STI-3150: **CSFM AHJ Approval Required**
- STI-1200, STI-1230, STI-1250: **MEA 49-00-E**
- STI-1250, STI-3150: **NEMA-3R** When mounted on a smooth surface or when mounted with STI-1280 Back Plate

Product Line Information

STI-1100Stopper® II, flush mount, with horn.

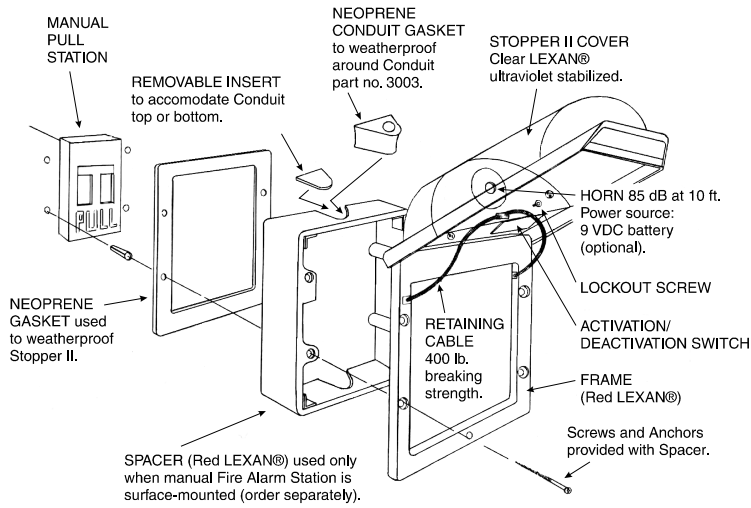
STI-1130Stopper® II, surface mount, with horn.

STI-1200Stopper® II, flush mount, without horn.

STI-1230Stopper® II, surface mount, without horn.

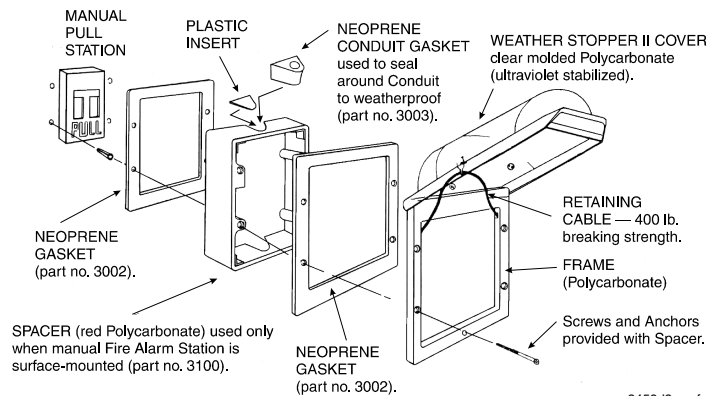
STI-1250Weather Stopper® II, flush mount.

STI-3150Weather Stopper® II, surface mount.



Weather Stopper® II (at left)

Stopper® II (at right)



3459d3.wmf

NOTIFIER® is a registered trademark of Honeywell International Inc.
 ©2010 by Honeywell International Inc. All rights reserved. Unauthorized use of this document is strictly prohibited.



This document is not intended to be used for installation purposes.
 We try to keep our product information up-to-date and accurate.
 We cannot cover all specific applications or anticipate all requirements.
 All specifications are subject to change without notice.



Made in the U.S. A.

For more information, contact Notifier. Phone: (203) 484-7161, FAX: (203) 484-7118.
www.notifier.com